

(19)



(12)

(10)

(45)

(21) 202021285947.9

(22) 2020.07.05

(73)

265500

16

(72)

(51) Int. Q .

B66F 9/06(2006.01)

B66F 9/075(2006.01)

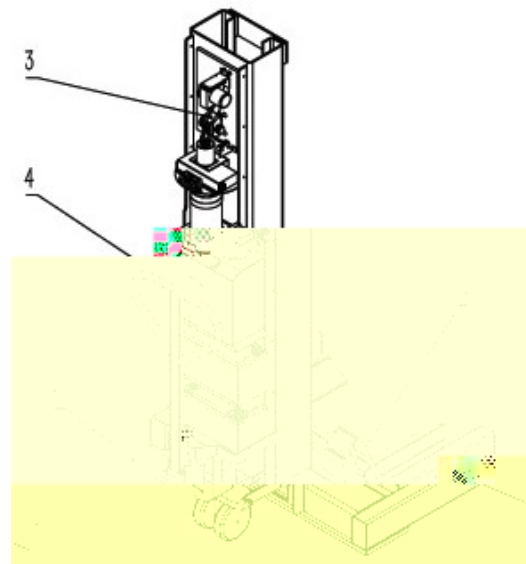
B66F 9/08(2006.01)

B66F 9/22(2006.01)

B66F 17/00(2006.01)

(54)

(57)



1.

2. 1
" L" Q345B
3. 1

4. 1

5. 1

6. 1

7. 1

8. 7

Zi gBee

[0001]

[0002]

[00

[00

[0003] > [00

~6

00

>

>

[0012]

[0013]

[0014]

Zi gBee

[0015]

[0016]

[0017]

[0018] 1

[0019] 2

[0020] 3

[0021] 1 2 3 4 5

6 7 8 9 10

[0022]

[0023]

[0024] 1 2 3 1

2 3 4 5 6

7 2 8 9 10 2

1 1 3 1 1

4 1 1 6 1 7

1 1 5 1 1

1 3 7 6

4 6 2 9 6

7 8 10 1 8

10 9 8 10 1

9 5 1

[0025]

5 1 1

9 1 2 1

9 1 2 1

2 9 6 1

7 7 7

" " "

" 4 4
2 8 2 10
8 9 10 1 3
9 9 7
" "

2 8 3 7
[0026] " " 4 4
" " 2 8 " 3 4
7 " " 2 8
4 10 8 9
10 1 2 9 8 8 9
2 330
7 " " 2
2 6

