

(19)



(12)

(10)

(45)

---

(21) 202021285947.9

(22) 2020.07.05

(73)

265500

16

(72)

(51) Int. Cl .

*B66F* 9/06(2006.01)

*B66F* 9/075(2006.01)

*B66F* 9/08(2006.01)

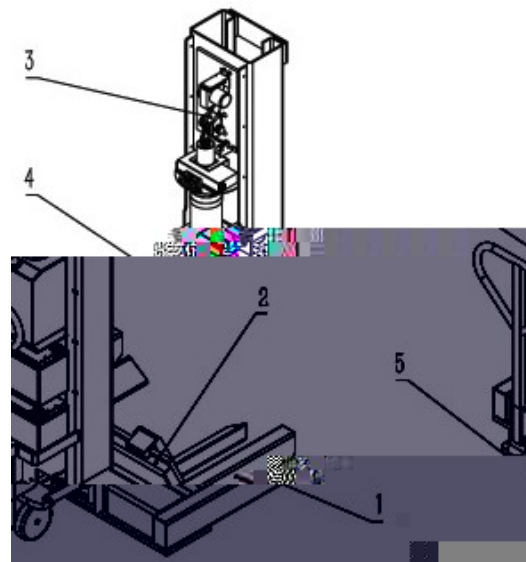
*B66F* 9/22(2006.01)

*B66F* 17/00(2006.01)

---

(54)

(57)



1.

2. 1  
" L" Q345B  
3. 1

4. 1

5. 1

6. 1

7. 1

8. 7

Zi gBee

[0001]

[0002]

[0003]

[0012]

[0013]

[0014]

Zi gBee

[0015]

[0016]

[0017]

[0018] 1

[0019] 2

[0020] 3

[0021] 1 2 3 4 5

6 7 8 9 10

[0022]

[0023]

[0024] 1 2 3 1

2 3 4 5 6

7 2 8 9 10 2

1 1 3 1

4 1 1 6 1 7

1 1 5 1

1 3 7

4 6 6

7 2 9 8

10 8 10 1

9 5 1

[0025]

5 1 1

5 1 2

9 1 2 1

2 9 1

7 7 6 7

" " "

---

" 4 4  
2 8 2 10  
8 10 1 3  
9 9 7  
" "

2 8 3 7  
[0026] " " 4 4  
" " 2 8 3 4  
7 " " 8  
4 2 8  
10 1 2 10 9 8 9  
2 330  
7 " " 2  
2 6

